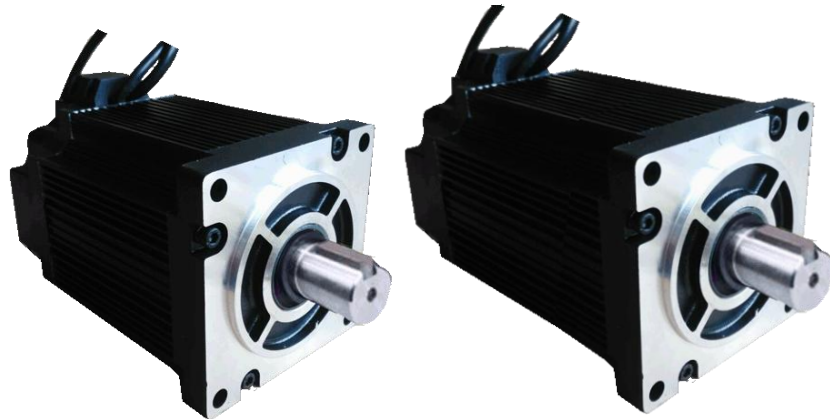




Leadshine

Datasheet of the Easy Servo Motor

ES-MH Series



High Voltage Stepper Motor with Encoder, 8 - 20 Nm

Version 1.4

<http://www.Leadshine.com>

Contents

1 Descriptions.....	3
2 Part Number.....	3
3 Electric Specification.....	3
3.1 Encoder Specifications.....	3
3.2 Motor Specifications.....	4
4 Motor Wiring Diagram and Mechanical Dimension.....	4
4.1 Wiring Diagram.....	4
4.2 Mechanical Dimension.....	4
5 Motor Cable.....	7
5.1 Encoder Cable.....	7
5.1.1 Encoder Cable Connector.....	7
5.1.2 Encoder Extension Cable.....	8
5.2 Power Cable.....	8
5.2.1 Power Cable Connector.....	8
5.2.2 Power Extension Cable.....	9
6 Speed-Torque Curves.....	9

1 Descriptions

Leadshine's ES-MH series easy servo motors, or stepping motors with encoders, are specially designed for 120VAC / 230VAC input with extra low motor heating. They can work with Leadshine easy servo drives including ES-DH1208 and ES-DH2306. They are currently available from NEMA 34 to NEMA 42 with holding torque from 8 Nm to 20 Nm. All those easy servo motors are integrated with 1,000-line) optical incremental encoders.

2 Part Number

ES-MH 3 34 80 □ - □ - □

1
 2 3 4 5 6 7

- 1 High Voltage Easy Servo Motor Series
- 2 Motor Type
3: 3-phase
- 3 Motor Size
34: NEMA34(86mm) 42: NEMA42(110mm)
- 4 Holding Torque
80: 8.0N.m 120: 12N.m
- 5 Motor Type
Blank: standard B: brake WP: waterproof
- 6 Encoder Line
Blank: 1000 line E2: 2500 line E5: 5000 line
- 7 Customerized Code
Blank: standard

3 Electric Specification

3.1 Encoder Specifications

Parameter	Min	Typical	Max	Unit
Supply Voltage	4.5	5	5.5	VDC
Output Current per Channel	-1	-	5	mA
Low Level Output Voltage	-	-	0.4	VDC
High Level Output Voltage	2.4	-	-	VDC
Count Frequency	-	-	100	KHz

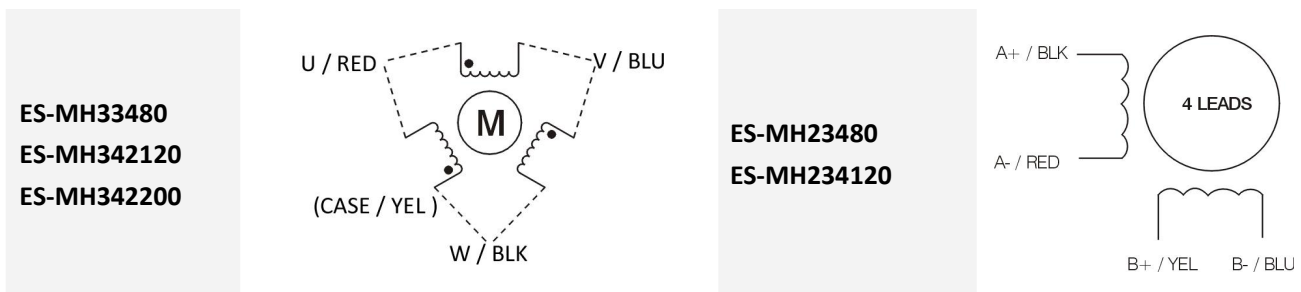
3.2 Motor Specifications

Model	Phase	Step Angle (°)	Leads	Holding Torque (N.m)	Phase Current (A)	Phase Resistance (Ohm)	Phase Inductance (mH)	Rotor Inertia (kg.cm ²)	Weight (Kg)	Shaft Diameter (mm)
ES-MH23480	2	1.8°	4	8.0	4.8	0.4	2.9	2.8	4.0	14
ES-MH234120	2	1.8°	4	12	6.0	0.83	7.8	3	4.7	14
ES-MH33480	3	1.2°	3	8.0	3.0	2.34	18.33	4	5.6	14
ES-MH342120	3	1.2°	3	12	4.2	1.2	13	10.8	8.6	19
ES-MH342200	3	1.2°	3	20	5.2	1.9	18	17	12.8	19

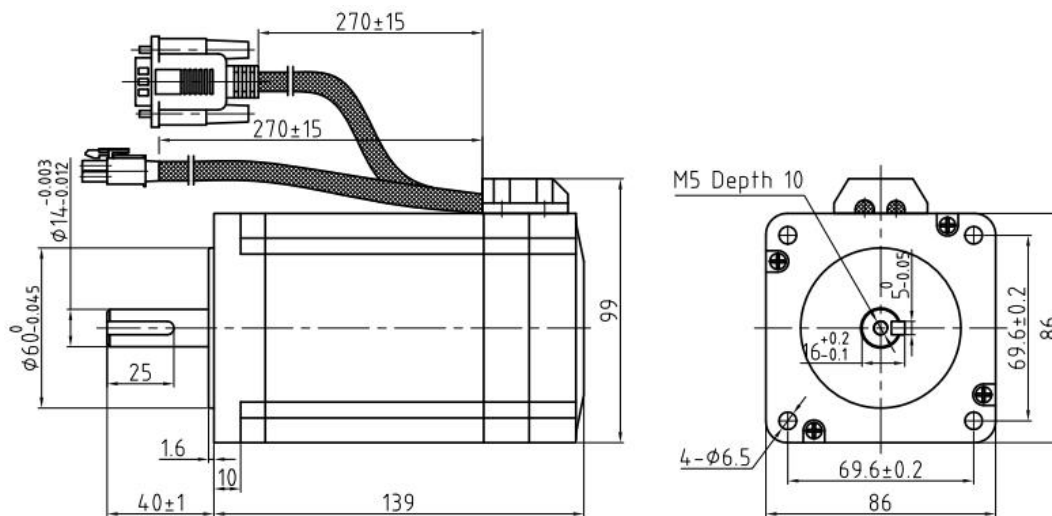
4 Motor Wiring Diagram and Mechanical Dimension

4.1 Wiring Diagram

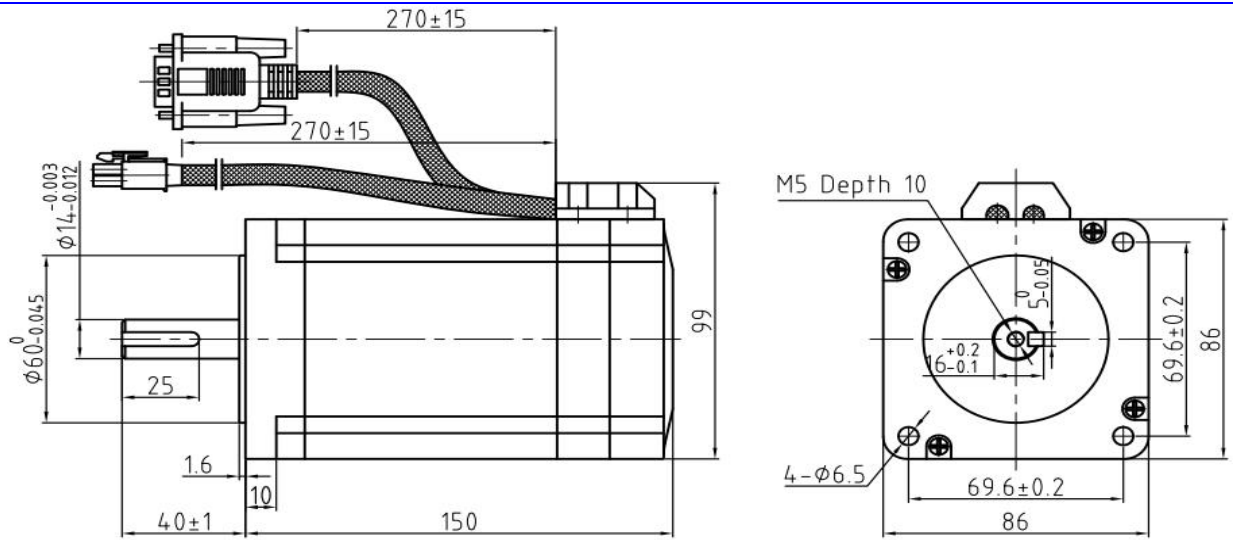
Note: Contact Leadshine for the wiring diagram of other motors.



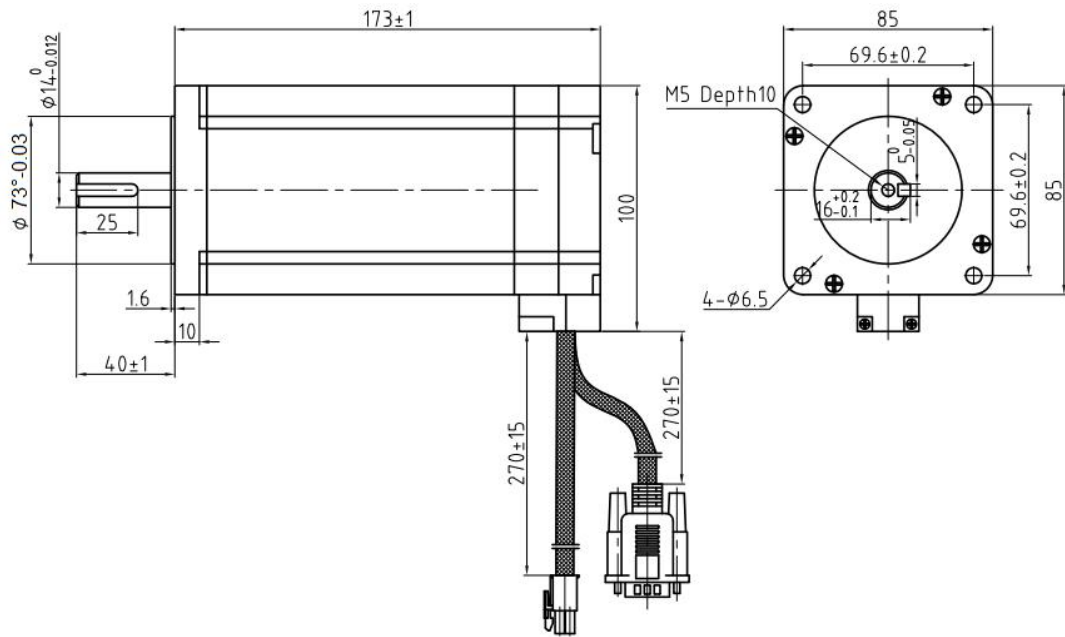
4.2 Mechanical Dimension



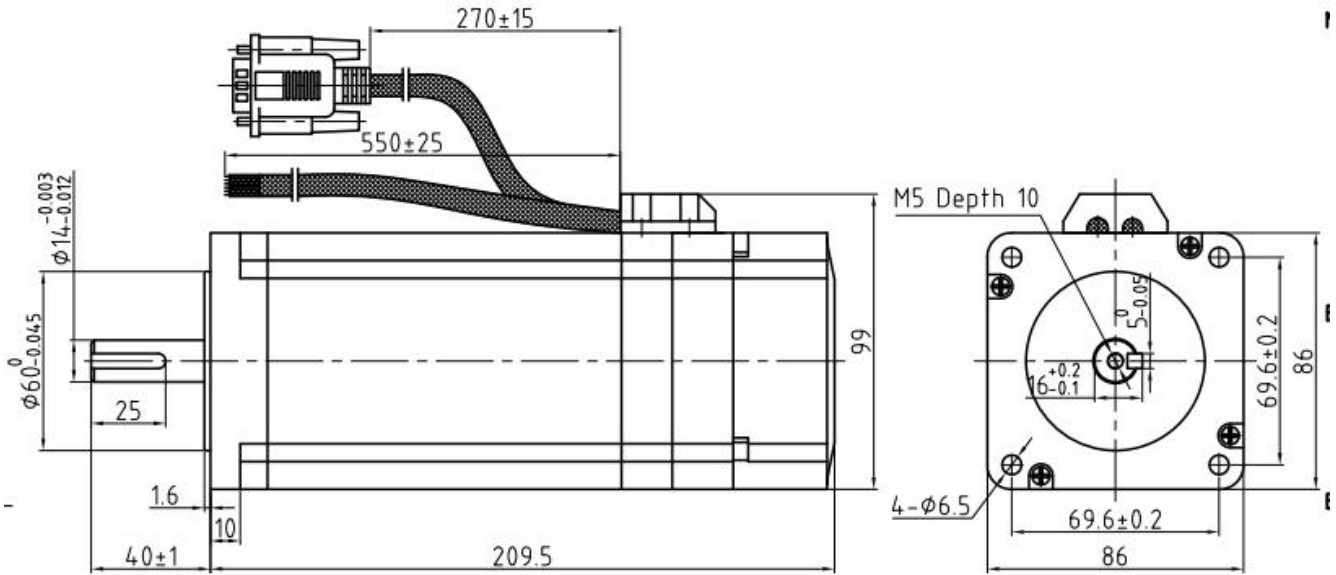
Mechanical Specification of ES-MH23480



Mechanical Specification of ES-MH234120



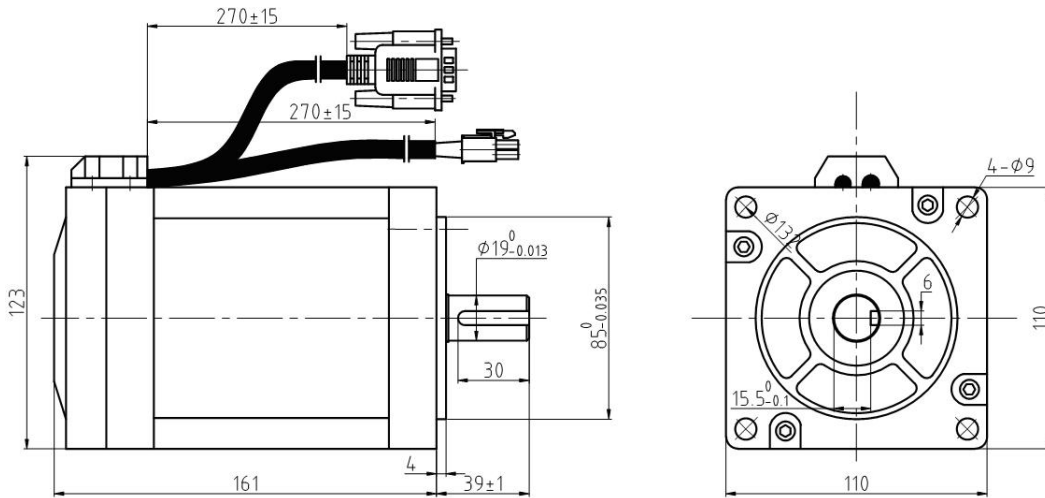
Mechanical Specification of ES-MH33480 (center diameter changed from 60mm to 73mm since 2019)



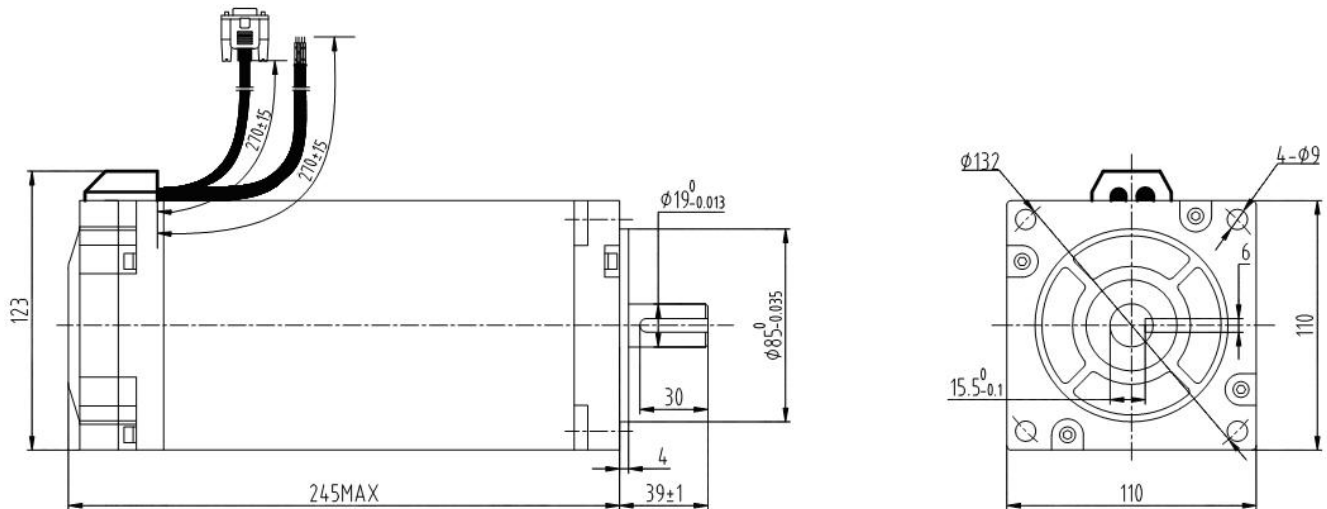
Brake Specification

Voltage	24Vdc
Friction torque	4N•M

Mechanical Specification of ES-MH33480B



Mechanical Specification of ES-MH342120



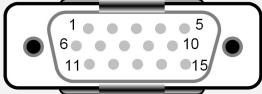
Mechanical Specification of ES-MH342200

5 Motor Cable

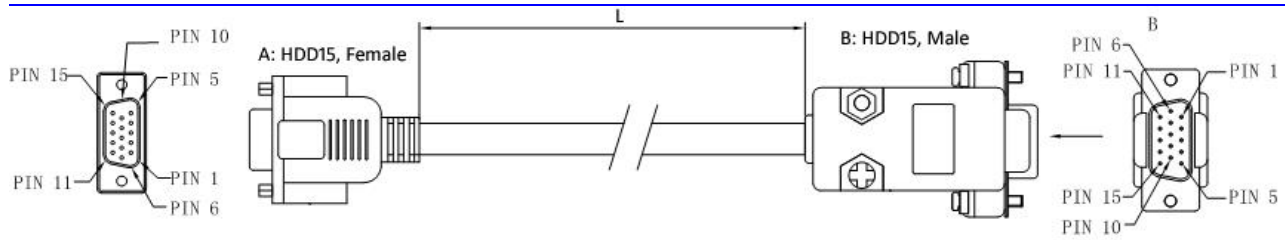
Part Number	Power Cable	Power Extension Cable	Encoder Cable	Encoder Extension Cable
ES-MH23480	270±15mm	3.0m / CABLEH-RZ3M0 5.0m / CABLEH-RZ5M0 10.0m / CABLEH-RZ10M0	270±15mm (HDD15 Male)	3.0m / CABLEG-BM3M0
ES-MH234120				8.0m / CABLEG-BM8M0
ES-MH33480				10.0m / CABLEG-BM10M0
ES-MH342120				12.0m / CABLEG-BM12M0
ES-MH342200				

5.1 Encoder Cable

5.1.1 Encoder Cable Connector

Pin	Name	Wire Color	I/O	Description	Connector
1	EA+	Black	O	Channel A+ output	HDD15 Male 
2	VCC	Red	I	+5V power input	
3	GND	White	GND	Ground	
11	EB+	Yellow	O	Channel B+ output	
12	EB-	Green	O	Channel B- output	
13	EA-	Blue	O	Channel A- output	
4~10	NC	-	-	No Connection	
14~15	NC	-	-	No Connection	

➤ **CABLEG-BMXXM** (ES-MH23480, ES-MH234120, ES-MH33480, ES-MH342120, ES-MH342200)



➤ **CALBEG-BMXXM Pin Assignments**

A: HDD15 Female	Wire Color	B: HDD15 Male	Name	Description
Pin		Pin		
1	Black	1	EA+	Channel A+
2	Red	13	VCC	+5V power input
3	White	3	GND	+5V GND
11	Yellow	2	EB+	Channel B+
12	Green	12	EB-	Channel B-
13	Blue	11	EA-	Channel A-

5.1.2 Encoder Extension Cable

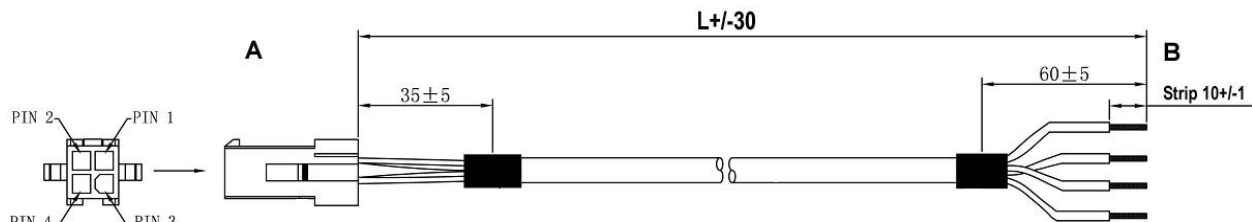
Part Number	L	Matching Motor
CABLEG-BM3M0	3.0m	ES-MH23480, ES-MH234120, ES-MH33480, ES-MH342120, ES-MH342200
CABLEG-BM8M0	8.0m	(Note: The encoder extension cable must be connected between the ES-M3 motor and the ES-DH drive. You can not connect the motor's encoder cable to the ES-DH1208 / ES-DH2306 directly.)
CABLEG-BM10M0	10.0m	
CABLEG-BM12M0	12.0m	

5.2 Power Cable

5.2.1 Power Cable Connector

Part Number	L	Matching Motor
CABLEH-RZ3M0	3.0m	ES-MH23480, ES-MH234120, ES-MH33480, ES-MH342120, ES-MH342200
CABLEH-RZ5M0	5.0m	
CABLEH-RZ10M0	10.0m	

➤ **CABLEH-RZXXM (ES-MH23480, ES-MH234120, ES-MH33480, ES-MH342120, ES-MH342200)**



➤ **CABLEH-RZXXM Pin Assignments and Drive Connections**

A	B	ES-DH2306	ES-D1208
Pin	Wire Color	Motor Connector	
1	Blue	V	B-

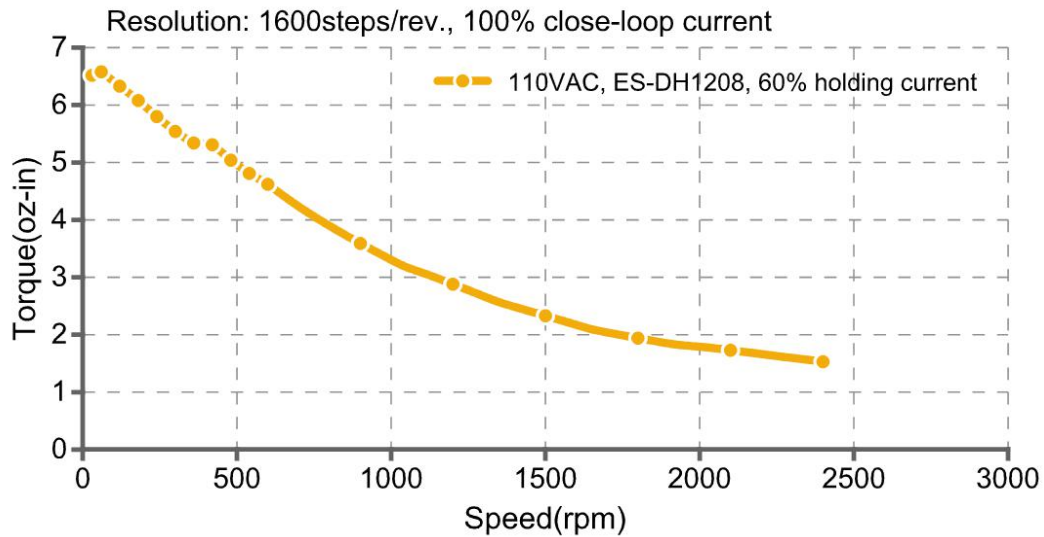
2	Red	U	A-
3	Black	W	A+
4	Yellow / Green	PE	B+

5.2.2 Power Extension Cable

Part Number	L	Matching Motor
CABLEH-RZ3M0	3.0m	ES-M32309, ES-M32320, ES-M22430, ES-M23440, ES-M23480
CABLEH-RZ5M0	5.0m	
CABLEH-RZ10M0	10.0m	

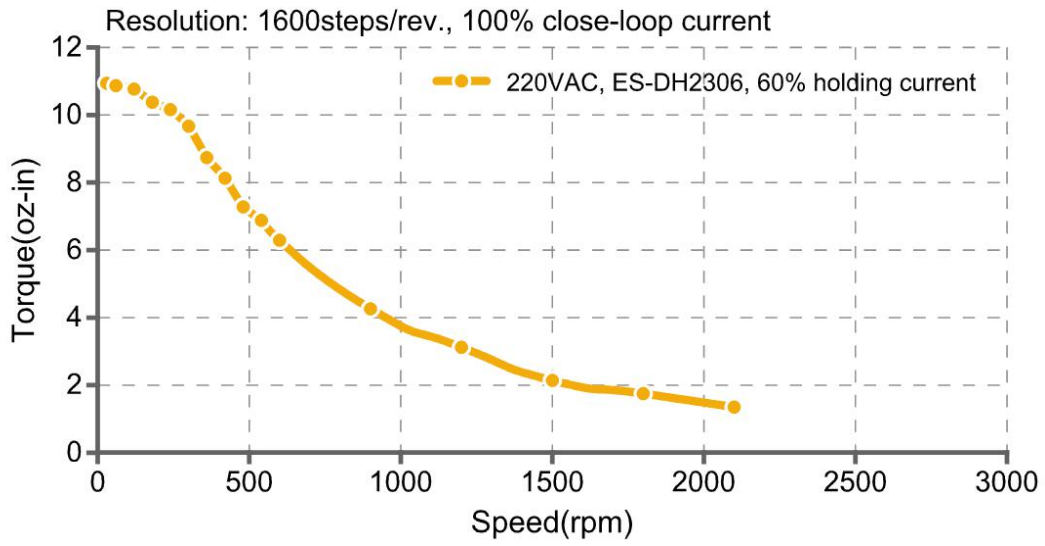
6 Speed-Torque Curves

ES-MH23480



Speed Torque Curve of ES-MH23480

ES-MH33480



Speed Torque Curve of ES-MH33480