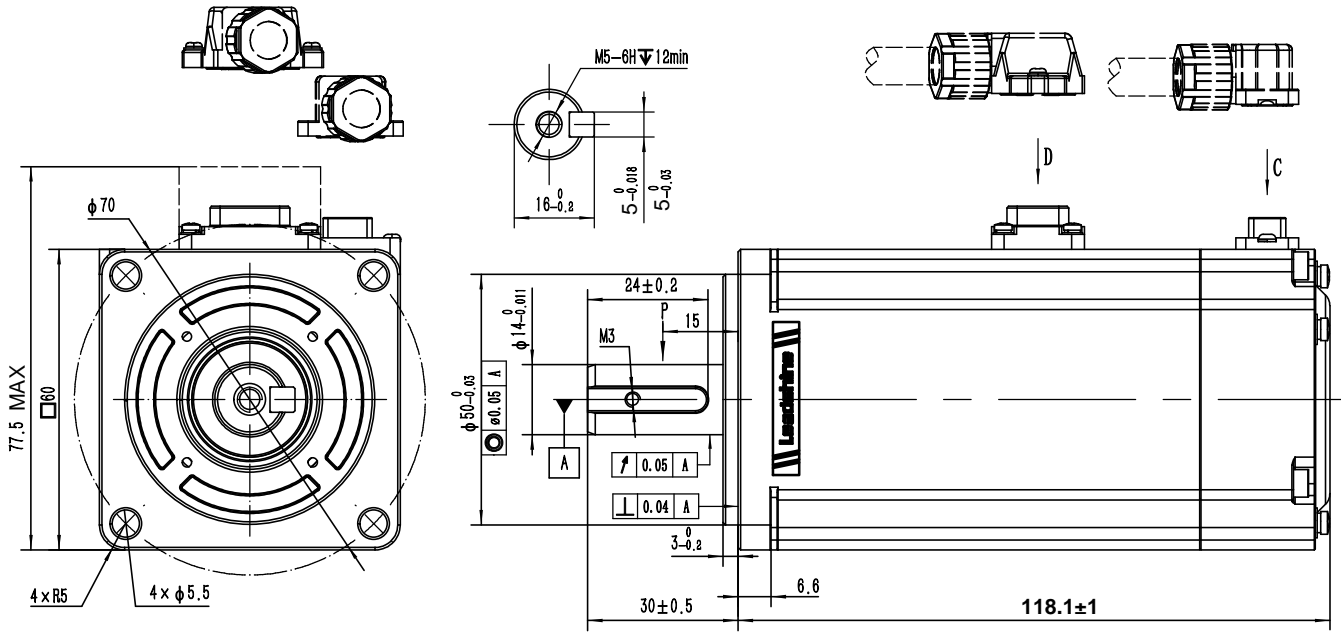


Rated Voltage (Vac)	<b>220</b>
Rated Power (w)	<b>400</b>
Rated Torque (N.m)	<b>1.27</b>
Peak Torque (N.m)	<b>3.81</b>
Rated Speed (rpm)	<b>3000</b>
Peak Speed (rpm)	<b>5000</b>
Rated Current (Amp)	<b>2.1</b>
Peak Current (Amp)	<b>6.5</b>
Torque Const (N.m/Amp)	<b>0.645</b>
Back EMF Const (V/krpm)	<b>39</b>
Resistance (Ω)	<b>5.7</b>
Inductance (mH)	<b>12</b>
Inertia (kg*m <sup>2</sup> *10 <sup>-4</sup> )	<b>0.58</b>
Poles	<b>10</b>
Encoder type	<b>23bit magnetic</b>
IP rating	<b>IP67</b>
Mass (Kg)	<b>1.55</b>

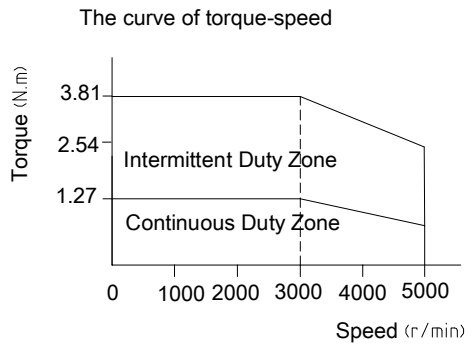


**Wiring details of Power cable connector**

Pos	1	2	3	4	A	B
Signal	U	V	W	PE	0V	24V
Color	black	white	red	Yel/Gre	blue	blue

**Wiring details of encoder cable connector**

Pos	1	2	3	4	5	6	7
Signal	PE	5V	0V	SD+	SD-	Bat+	Bat-
Color	shield	red	black	blue	yellow	brown	white



**Leadshine Technology Co.,Ltd**

**ELM1H-0400MA60E**

60mm,high inertia,400w servo motor  
23bit magnetic encoder, brake